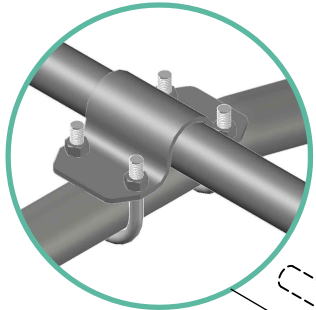
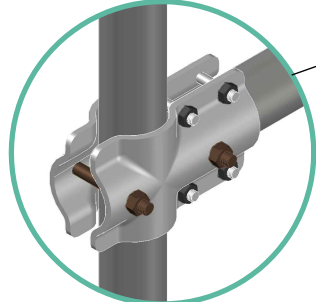


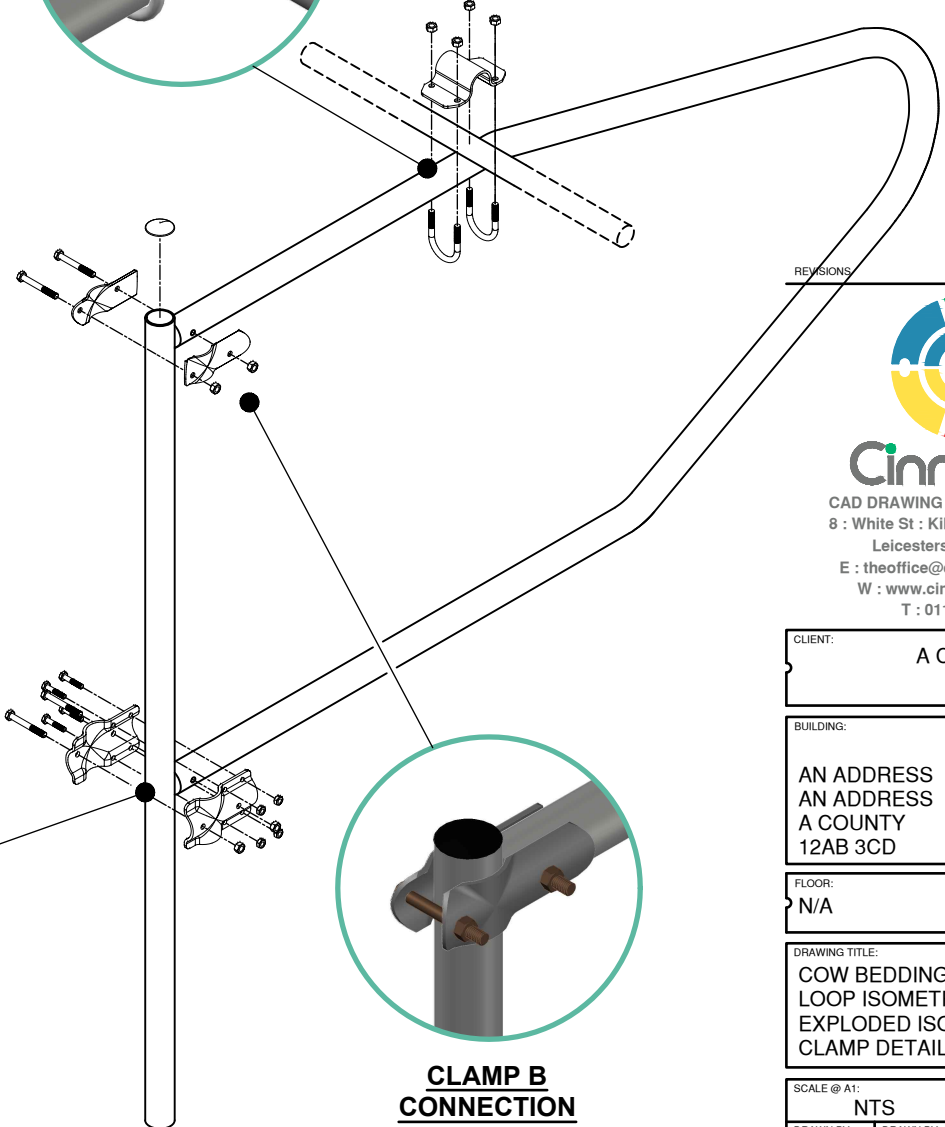
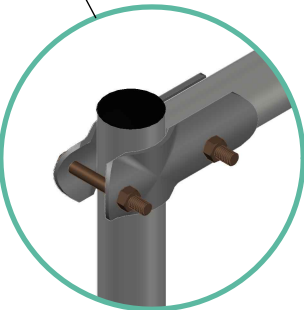
CLAMP C CONNECTION



CLAMP A CONNECTION



CLAMP B CONNECTION



REVISIONS



Cinnabar
 CAD DRAWING BUREAU SERVICES
 8 : White St : Kibworth Beauchamp :
 Leicestershire : LE8 0JG
 E : theoffice@cinnabar-cad.co.uk
 W : www.cinnabar-cad.co.uk
 T : 0116 2796605

CLIENT: A CLIENT

BUILDING:
 AN ADDRESS
 AN ADDRESS
 A COUNTY
 12AB 3CD

FLOOR:
 N/A

DRAWING TITLE:
 COW BEDDING CUBICLE
 LOOP ISOMETRICS &
 EXPLODED ISOMETRIC
 CLAMP DETAILS

SCALE @ A1: NTS DATE:

DRAWN BY: G.R.W. DRAWN BY: PROJECT NO:

DRAWING NO: REV: -