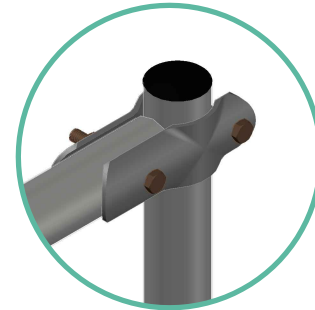


CLEARVIEW 60.3MM Ø
CUBICLE PROFILE
BENT TO SUIT
BED SIZE

60MM Ø POST

48MM Ø HEADRAIL

60MM Ø POST CAP
ALSO PROVIDED

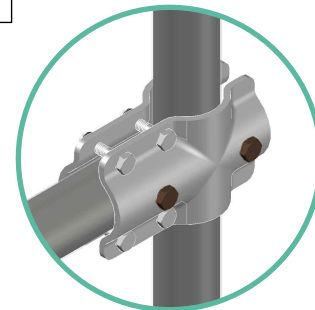


**CLAMP B
CONNECTION**

CLAMP C

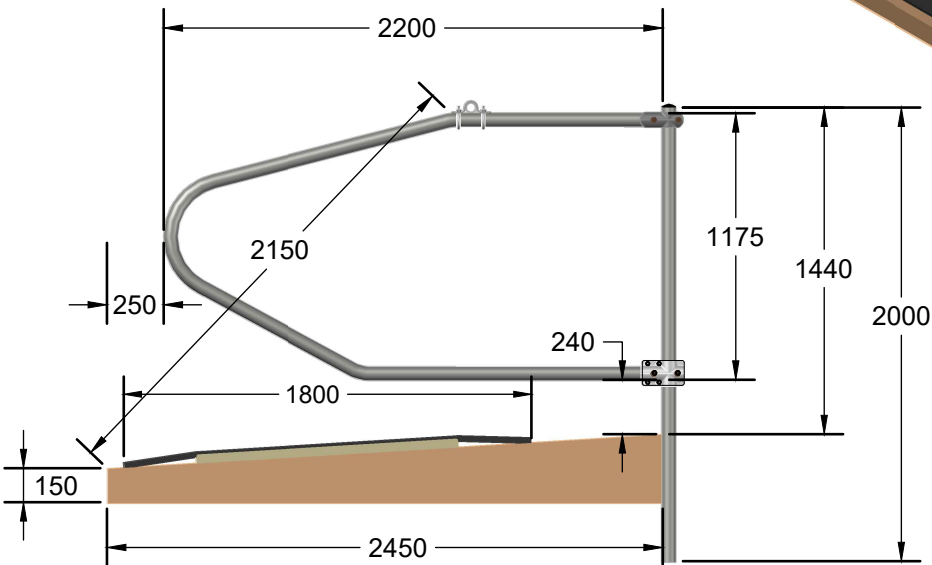
CLAMP B

CLAMP A



**CLAMP A
CONNECTION**

**CLAMP C
CONNECTION**



CUBICLE SECTION

SOFTBED RUBBER
TOP COVER WITH
FOAM UNDERLAY
FILLING

REVISIONS



Cinnobar

CAD DRAWING BUREAU SERVICES
8 : White St : Kibworth Beauchamp :
Leicestershire : LE8 0JG
E : theoffice@cinnabar-cad.co.uk
W : www.cinnabar-cad.co.uk
T : 0116 2796605

CLIENT:	A CLIENT
---------	----------

BUILDING:	AN ADDRESS AN ADDRESS A COUNTY 12AB 3CD
-----------	--

FLOOR:	
--------	--

DRAWING TITLE:	COW BEDDING CUBICLES ISOMETRIC & SECTION INC. CLAMP DETAIL
----------------	--

SCALE @ A1:	NTS	DATE:	MAR 2021
DRAWN BY:	G.R.W.	DRAWN BY:	PROJECT NO:

DRAWING NO:	REV:
-------------	------